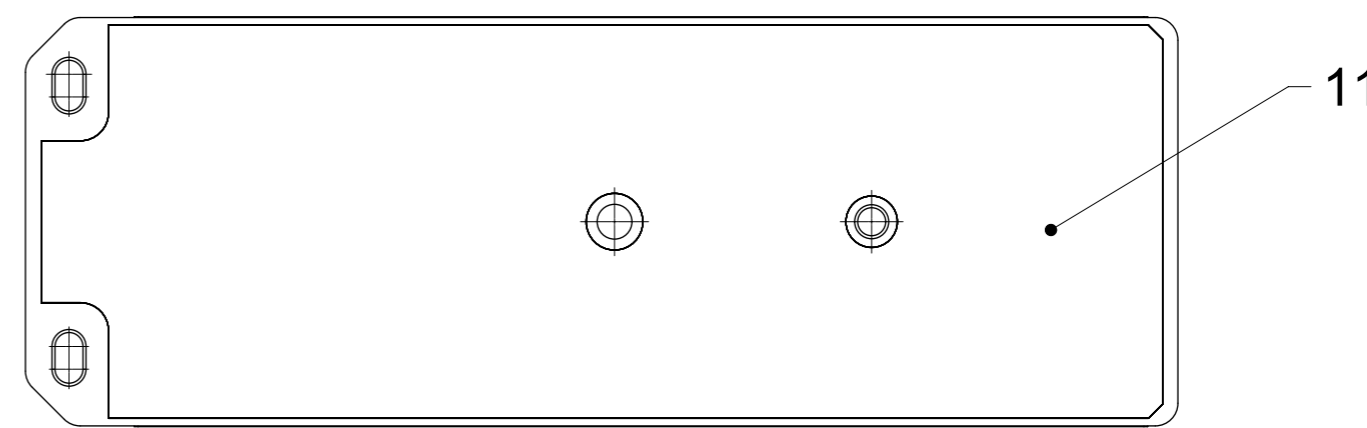
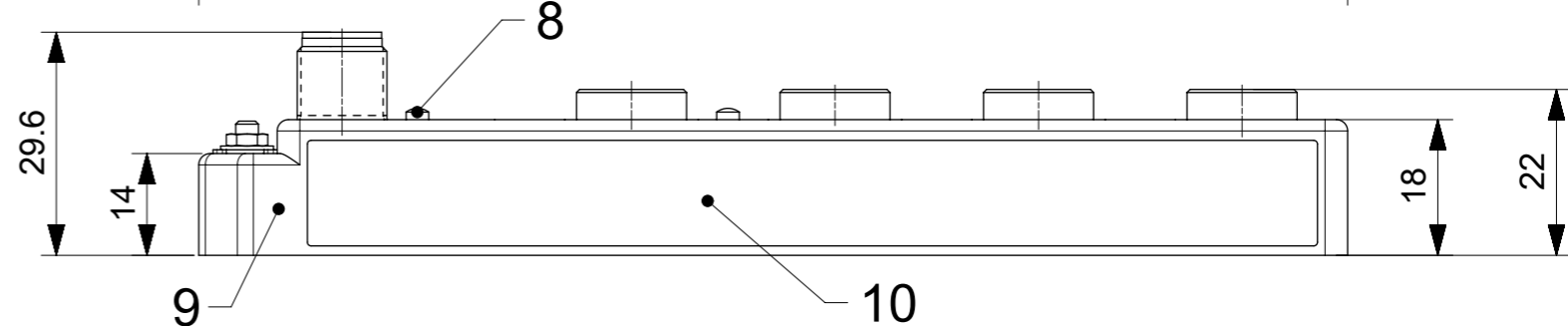
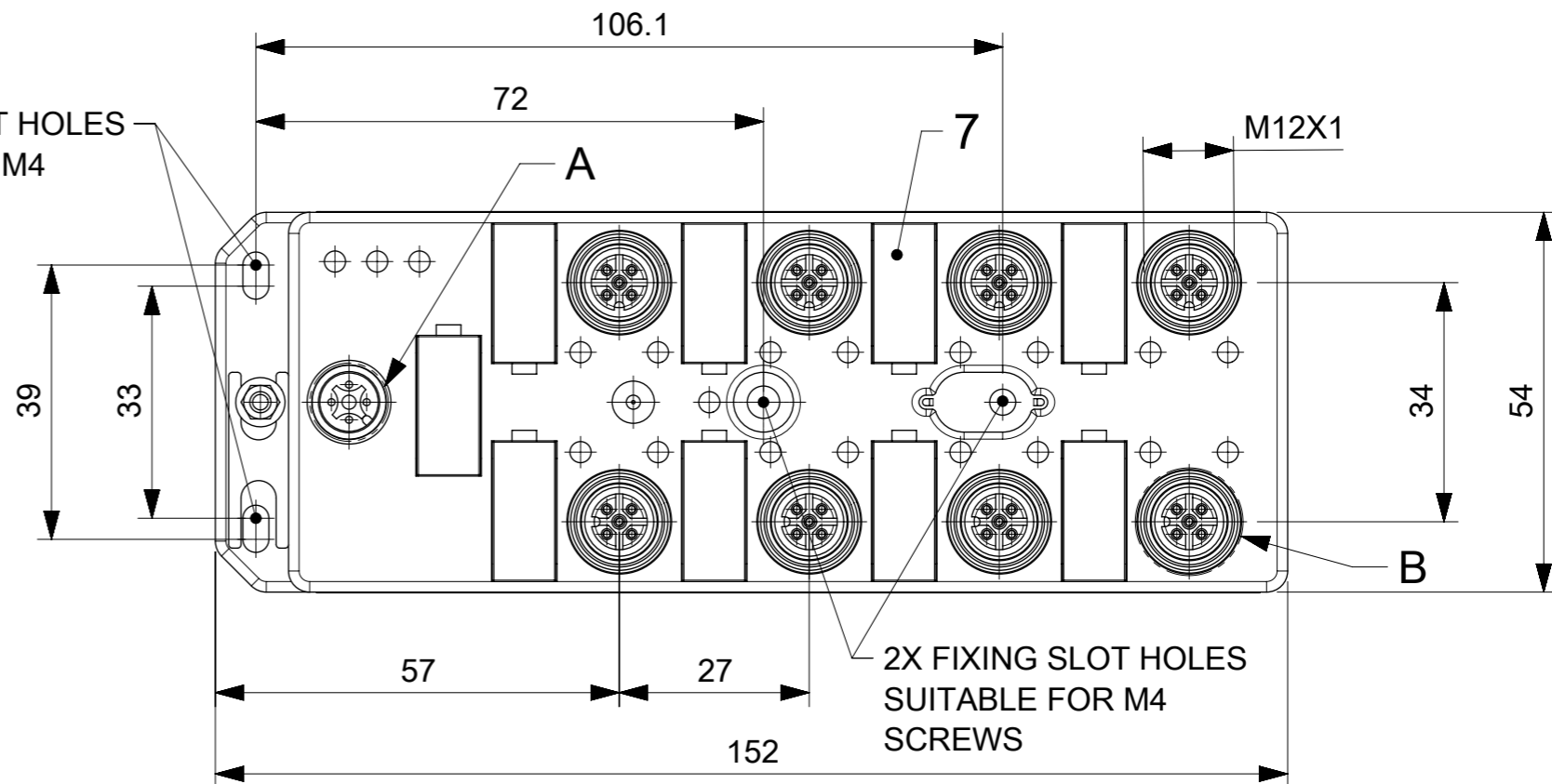
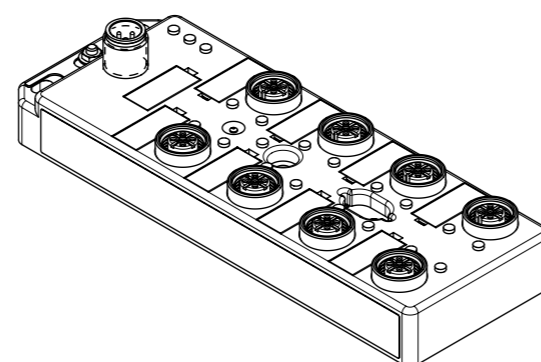


2X FIXING SLOT HOLES
SUITABLE FOR M4
SCREWS



BILL OF MATERIAL

ITEM	DESCRIPTION	MATERIAL	FINISH
1	INSERT	PUR	BLACK
2	CONTACT	BRASS	GOLD OVER NICKEL
3	SHELL	BRASS	NICKEL PLATED
4	CONTACT	BRASS	GOLD OVER NICKEL
5	SHELL	BRASS	NICKEL PLATED
6	O-RING	FPM	RED
7	LABEL	ABS	WHITE
8	LED	WITH LED = PA	TRANSPARENT
9	HOUSING	PBT	BLACK
10	LABEL	TBD	TBD
11	RESIN	PA	TRANSPARENT

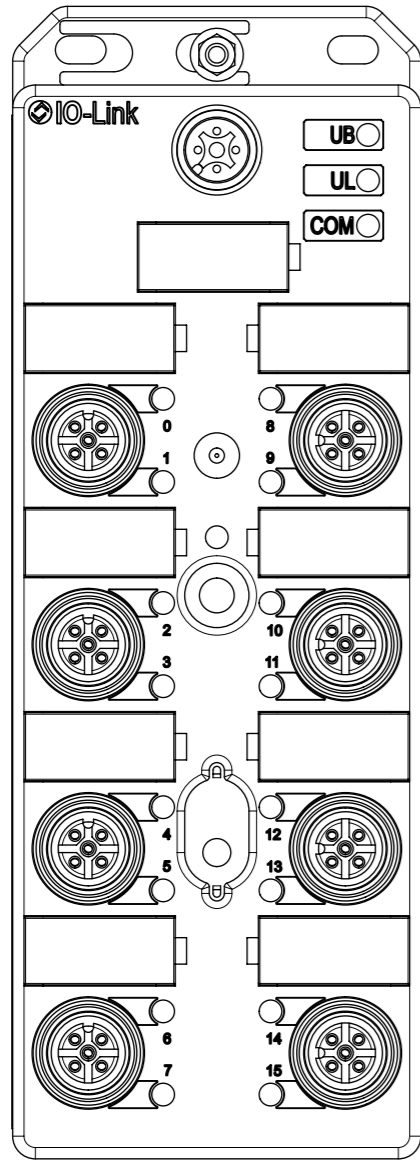


SCALE: 2:1

THIS DRAWING CONTAINS INFORMATION THAT IS PROPRIETARY TO MOLEX INCORPORATED AND SHOULD NOT BE USED WITHOUT WRITTEN PERMISSION

EC DESCRIPTION EC NO: 107817 DRWN: ULETTENMEIER CHK'D: REV APPR: RSILLER	2016/08/24	GENERAL TOLERANCES (UNLESS SPECIFIED)	DIMENSION UNITS	SCALE									
	2016/08/25		MM	1:1									
	2015/09/15		DRWN BY	DATE									
	2016/03/08		DATE	DATE									
4 PLACES	±	ANGULAR TOL ± °	ULETTENMEIER	DATE	MPIS IO LINK HUB M12 5P 8PT AC FE 4P MA AC BK								
3 PLACES	±	2 PLACES	±	1 PLACE		±	0 PLACES	±	RSILLER	DATE	DATE	DATE	DATE
DRAFT WHERE APPLICABLE MUST REMAIN WITHIN DIMENSIONS				DRAWING SIZE		THIRD ANGLE PROJECTION	SERIES	MATERIAL NUMBER	CUSTOMER				
A1	REV	A3	A3	THIRD ANGLE PROJECTION	112103	1121035000	GENERAL MARKET						
RELEASE STATUS		P1	RELEASE DATE	25.08.2016	08:39:06	DOCUMENT NUMBER	DOC TYPE	DOC PART	SHEET NUMBER				
						1121035000	PSD	000	1 OF 3				

TABLE 1 IO-LINK HUB PRINTING					
POWER TYPE	INPUT / OUTPUT		ENG.NO.	MOLEX P/N	3D MODEL NO.
M12 4 POLE	NPN	16 IN	TEDIO-8D0P-808	1121035000	1121035000 (PDM)



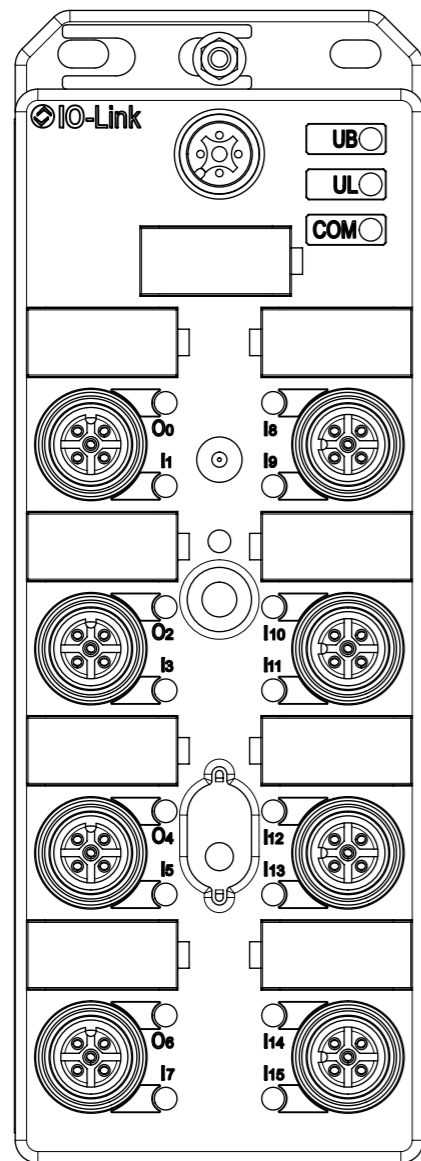
IO-LINK HUB PRINTING 16IN

THIS DRAWING CONTAINS INFORMATION THAT IS PROPRIETARY TO MOLEX ELECTRONIC TECHNOLOGIES, LLC AND SHOULD NOT BE USED WITHOUT WRITTEN PERMISSION

EC NO: 107817 DRWN: ULETTENMEIER CHK'D: REV APPR: RSILLER	2016/08/24	GENERAL TOLERANCES (UNLESS SPECIFIED)	DIMENSION UNITS	SCALE				
	2016/08/25		MM	1:1				
			DRWN BY	DATE		MPIS IO LINK HUB M12 5P 8PT AC FE 4P MA AC BK		
			ULETTENMEIER	2015/09/15				
			CHK'D BY	DATE		PRODUCT CUSTOMER DRAWING		
			RSILLER	2016/03/08				
APPR BY	DATE							
A1	REV	DRAFT WHERE APPLICABLE MUST REMAIN WITHIN DIMENSIONS	DRAWING SIZE	THIRD ANGLE PROJECTION	SERIES	MATERIAL NUMBER	CUSTOMER	
			A3		112103	1121035000	GENERAL MARKET	
					DOCUMENT NUMBER	DOC TYPE	DOC PART	SHEET NUMBER
					1121035000	PSD	000	2 OF 3

9 8 7 6 5 4 3 2 1

TABLE 1 IO-LINK HUB PRINTING					
POWER TYPE	INPUT / OUTPUT		ENG.NO.	MOLEX P/N	3D MODEL NO.
M12 4 POLE	NPN	12IN / 4OUT	TEDIO-8B4P-808	1121035001	1121035000 (PDM)



IO-LINK HUB PRINTING 12IN / 4OUT

THIS DRAWING CONTAINS INFORMATION THAT IS PROPRIETARY TO MOLEX ELECTRONIC TECHNOLOGIES, LLC AND SHOULD NOT BE USED WITHOUT WRITTEN PERMISSION

EC NO: 107817 DRWN: ULETTENMEIER CHK'D: REVISION: F DATE: 2015/11/16	2016/08/24	2016/08/25	GENERAL TOLERANCES (UNLESS SPECIFIED)		DIMENSION UNITS	SCALE		
			ANGULAR TOL ± °		MM	1:1		
			4 PLACES ±	DRWN BY	DATE	MPIS IO LINK HUB M12 5P 8PT AC FE 4P MA AC BK		
			3 PLACES ±	ULETTENMEIER	2015/09/15			
			2 PLACES ±	CHK'D BY	DATE	PRODUCT CUSTOMER DRAWING		
			1 PLACE ±	RSILLER	2016/03/08			
0 PLACES ±	APPR BY	DATE	SERIES	MATERIAL NUMBER	CUSTOMER			
DRAFT WHERE APPLICABLE MUST REMAIN WITHIN DIMENSIONS		DRAWING SIZE	THIRD ANGLE PROJECTION	112103	1121035000	GENERAL MARKET		
A1	REV	APPR	A3	DOCUMENT NUMBER		DOC TYPE	DOC PART	SHEET NUMBER
				1121035000		PSD	000	3 OF 3

9 8 7 6 5 4 3 2 1