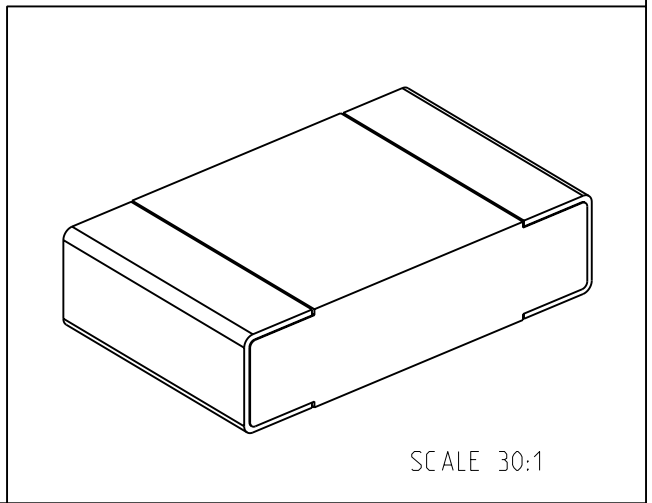


| | | | | | | | |
|-----|------|-----------|-----|-------------|-----------|-----|------|
| LOC | DIST | REVISIONS | | | | | |
| E | B | P | LTR | DESCRIPTION | DATE | DWN | APVD |
| | | | BA | NEW RELEASE | 25-MAR-10 | MRS | St.P |

FOR FURTHER INFORMATION SEE DATA SHEET FOR
NTC SERIES-NEGATIVE TEMPERATURE COEFFICIENT CHIP THERMISTORS



RoHS Compliant



2010

RELEASED FOR PUBLICATION

THIS DRAWING IS UNPUBLISHED.

BY TYCO ELECTRONICS CORPORATION. ALL RIGHTS RESERVED.



| | | | | | | |
|----------------------------------------|-------------------|-----------|-----------------------------------------------------------------------------|-----------|-------------|---------------|
| DIMENSIONS: mm | DWN MAHARUDRA | 25-MAR-10 | MATERIAL | - | FINISH | - |
| | CHK ALLAN.P | 25-MAR-10 | Tyco Electronics Corporation Dorcan, Swindon, SN3 5HH | | | |
| TOLERANCES UNLESS OTHERWISE SPECIFIED: | APVD STEPHEN.P | 25-MAR-10 | | | | |
| 0 PLC ±0.2 | PRODUCT SPEC | - | NAME NEGATIVE TEMPERATURE COEFFICIENT CHIP THERMISTORS SERIES NTC0805 | | | |
| 1 PLC ±0.1 | APPLICATION SPEC | - | SIZE | CAGE CODE | DRAWING NO | RESTRICTED TO |
| 2 PLC ±- | | | A 4 | 00779 | © = 1624351 | - |
| 3 PLC ±- | | | CUSTOMER DRAWING | | | |
| 4 PLC ±- | WEIGHT | - | SCALE | 40:1 | SHEET | 1 OF 1 |
| ANGLES ±5° | | | | | REV | BA |

