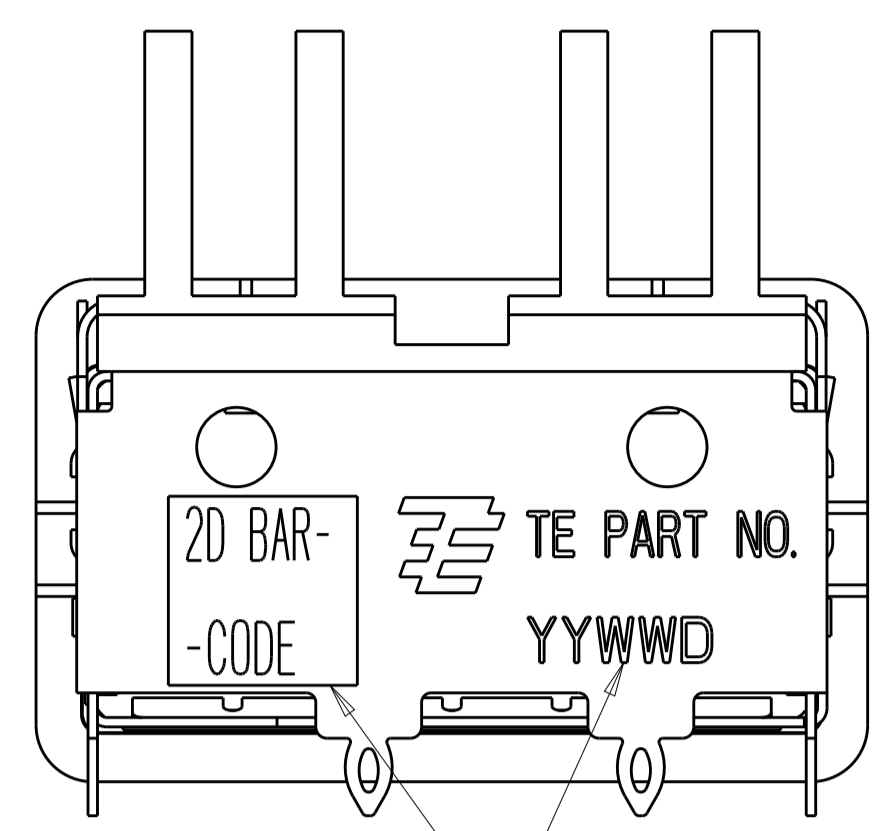
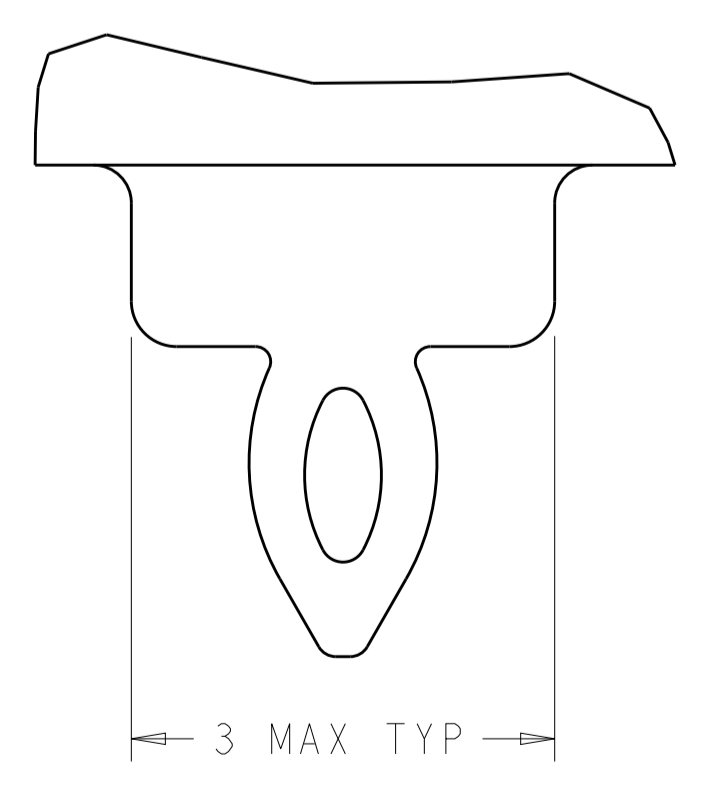
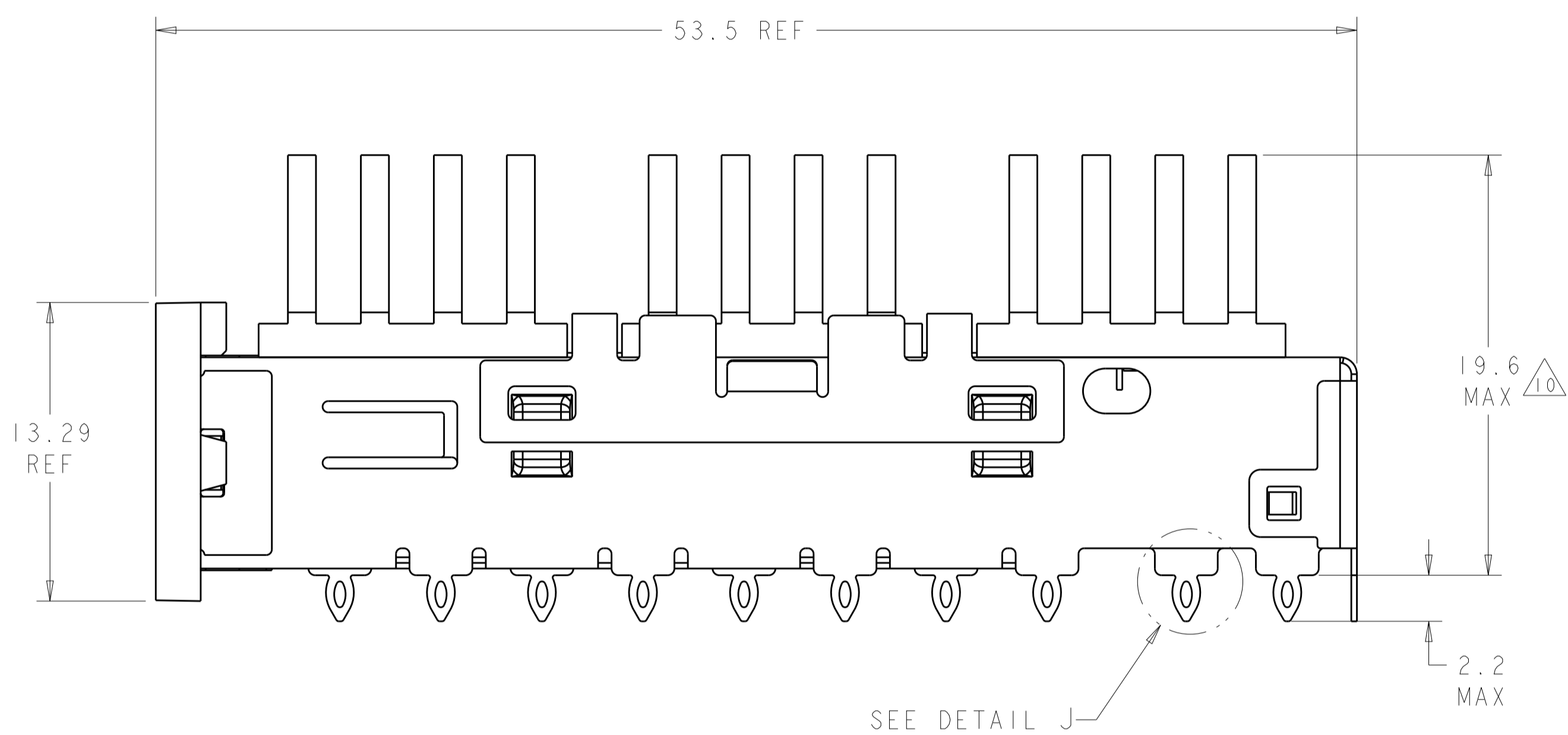
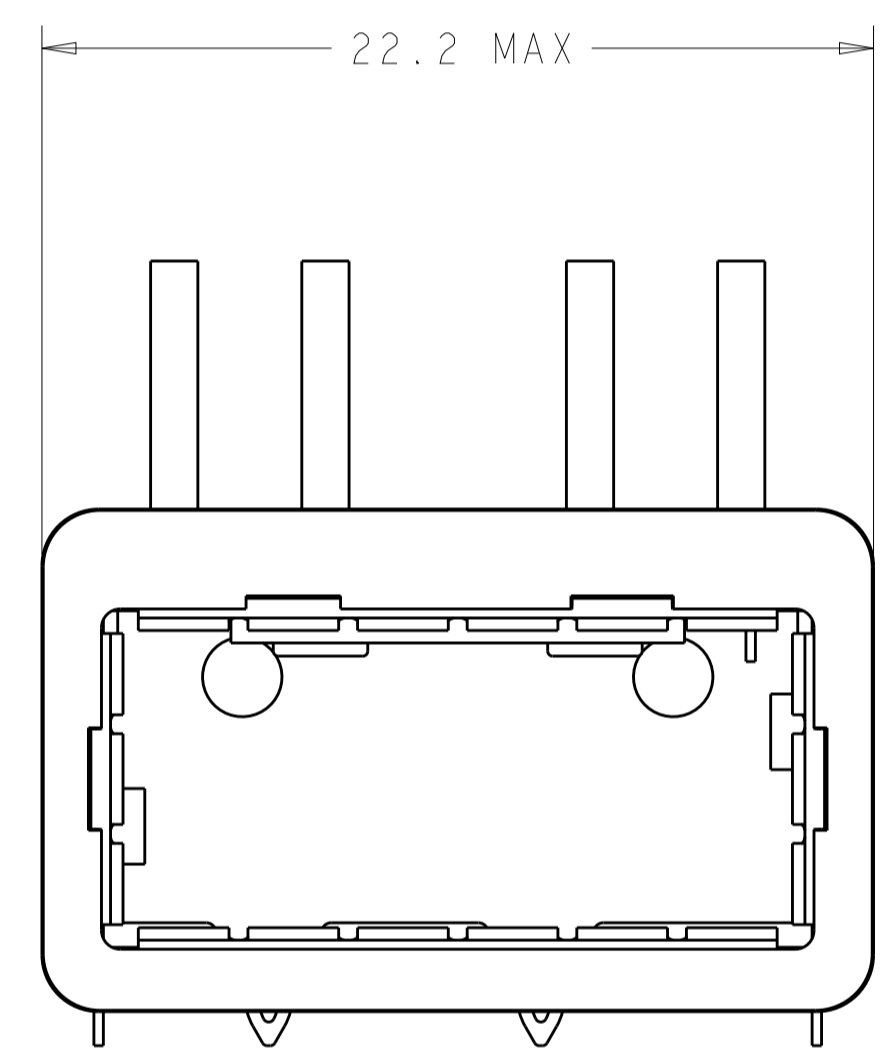
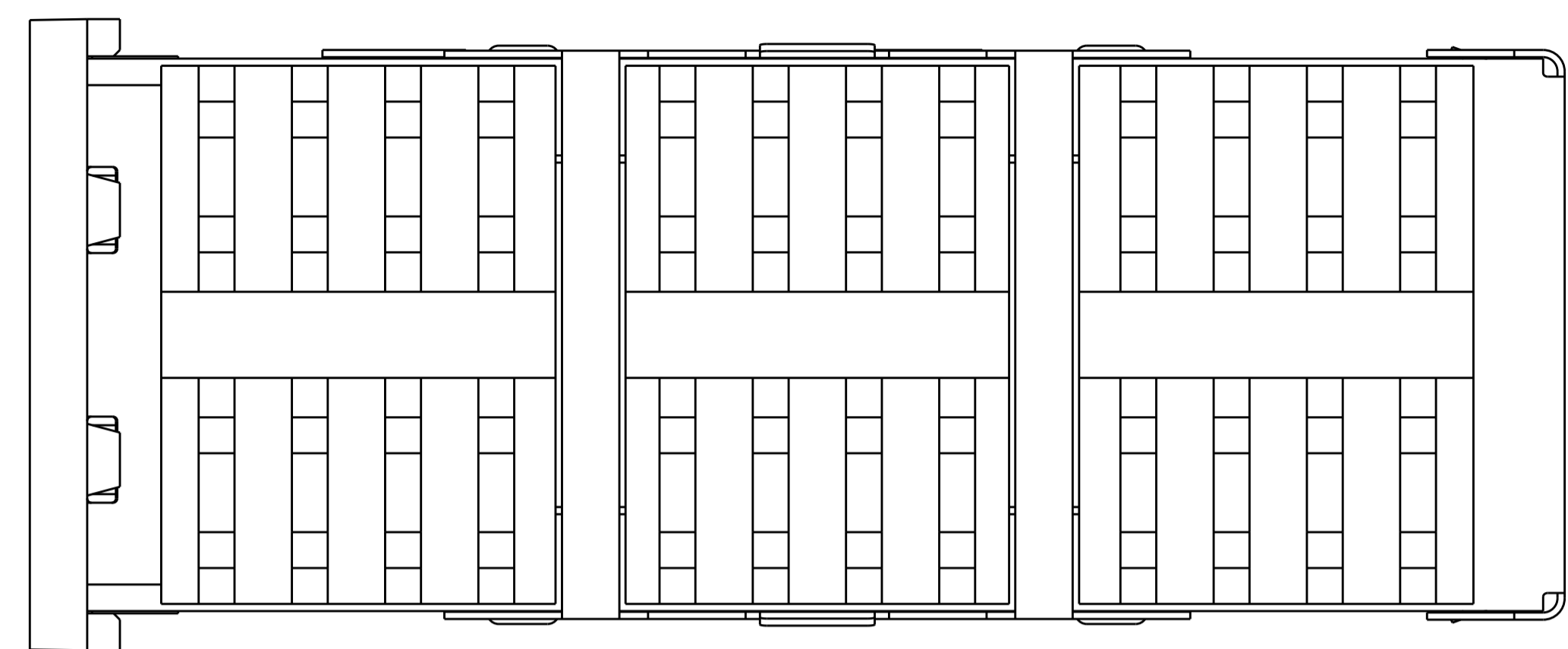


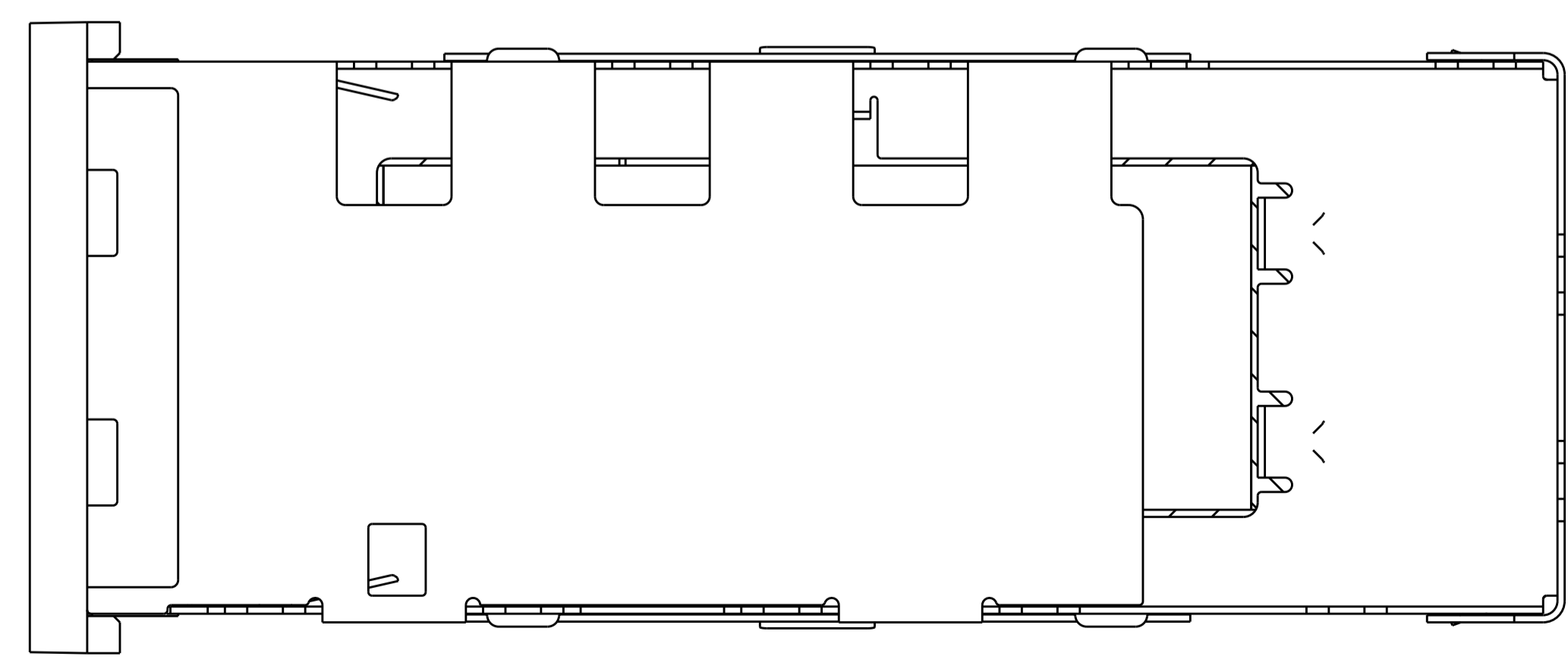
LOC	DIST	REVISIONS					
GP	00	P	LTN	DESCRIPTION	DATE	DWN	APVD
		A		RELEASED PER ECO-09-022107	29SEP2009	ZMR	JRP
		A1		REVISED PER ECO-14-018993	3APR2015	RG	MC



BACK VIEW  
 2D BARCODE AND DATE CODE

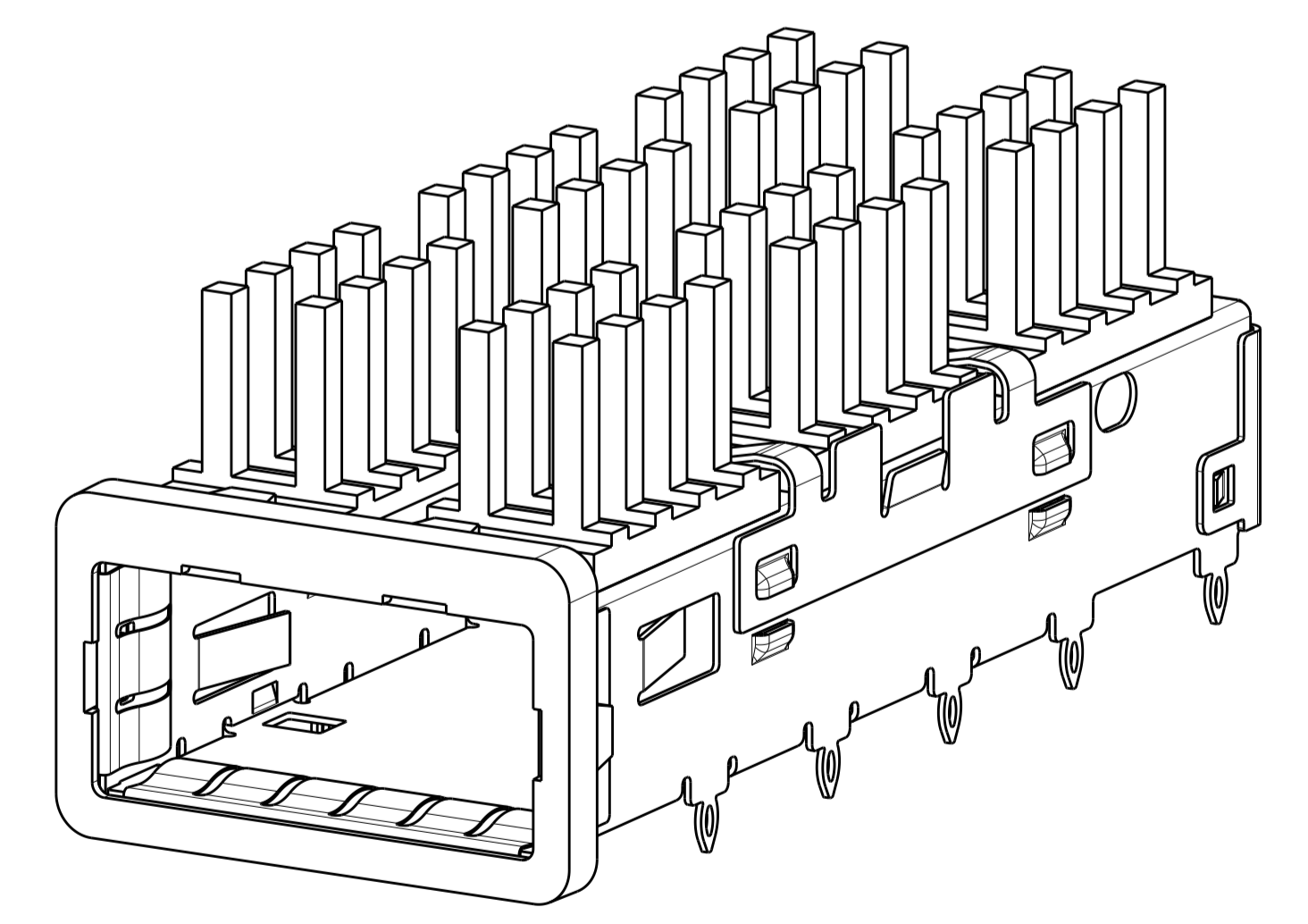


DETAIL J  
 SCALE 20:1



△ MATERIAL:  
 CAGE - NICKEL SILVER, 0.25 THICK  
 HEAT SINK - ALUMINUM  
 HEAT SINK CLIP - STAINLESS STEEL  
 EMI SPRING - COPPER ALLOY  
 FRONT FLANGE - ZINC ALLOY

- △ MINIMUM PITCH DIMENSION.
- 3. MATES WITH QSFP MSA COMPATIBLE TRANSCEIVER.
- △ REFERENCE APPLICATION SPEC 114-13218 FOR RECOMMENDED DRILL HOLE DIAMETER AND PLATING THICKNESS.
- △ DATUMS AND BASIC DIMENSIONS ESTABLISHED BY CUSTOMER.
- △ DIMENSION C IS THE NOMINAL THICKNESS OF CUSTOMER SUPPLIED PC BOARD.  
 SINGLE SIDED PC BOARD MINIMUM THICKNESS = 1.45  
 DOUBLE SIDED PC BOARD MINIMUM THICKNESS = 2.7
- △ HEAT SINK AND CLIP SHIPPED ASSEMBLED TO CAGE ASSEMBLY, CAGE ASSEMBLY MAY BE PRESSED INTO THE PCB AS SHIPPED.
- △ DATUM [-A-] IS TOP SURFACE OF HOST BOARD.
- △ SURFACE TRACES PERMITTED WITHIN THIS AREA EXCEPT WHERE CAGE STANDOFFS, SHOWN IN DETAIL J, CONTACT PC BOARD.
- △ DIMENSION APPLIES WITH MODULE INSTALLED IN THE CAGE.
- △ 2D BARCODE AND DATE CODE (YYWWD) MARKED ON BACK OF CAGE.
- △ FINISH:  
 EMI SPRING: 2µm MIN TIN.  
 HEAT SINK FINISH: 0.76µm MIN NICKEL.  
 FRONT FLANGE: 3µm MIN TIN OVER 1.27µm MIN NICKEL OVER 5.08µm MIN COPPER.
- 13. PRODUCT HAS NOT COMPLETED QUALIFICATION TESTING.

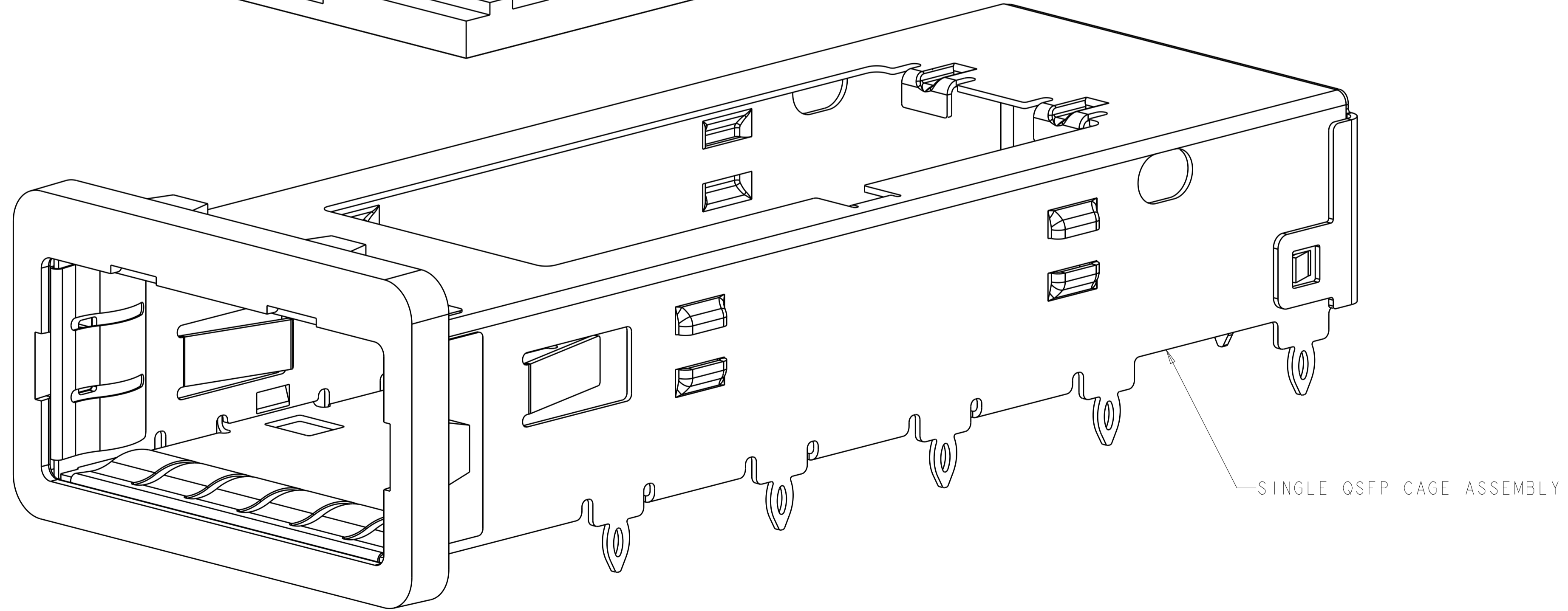
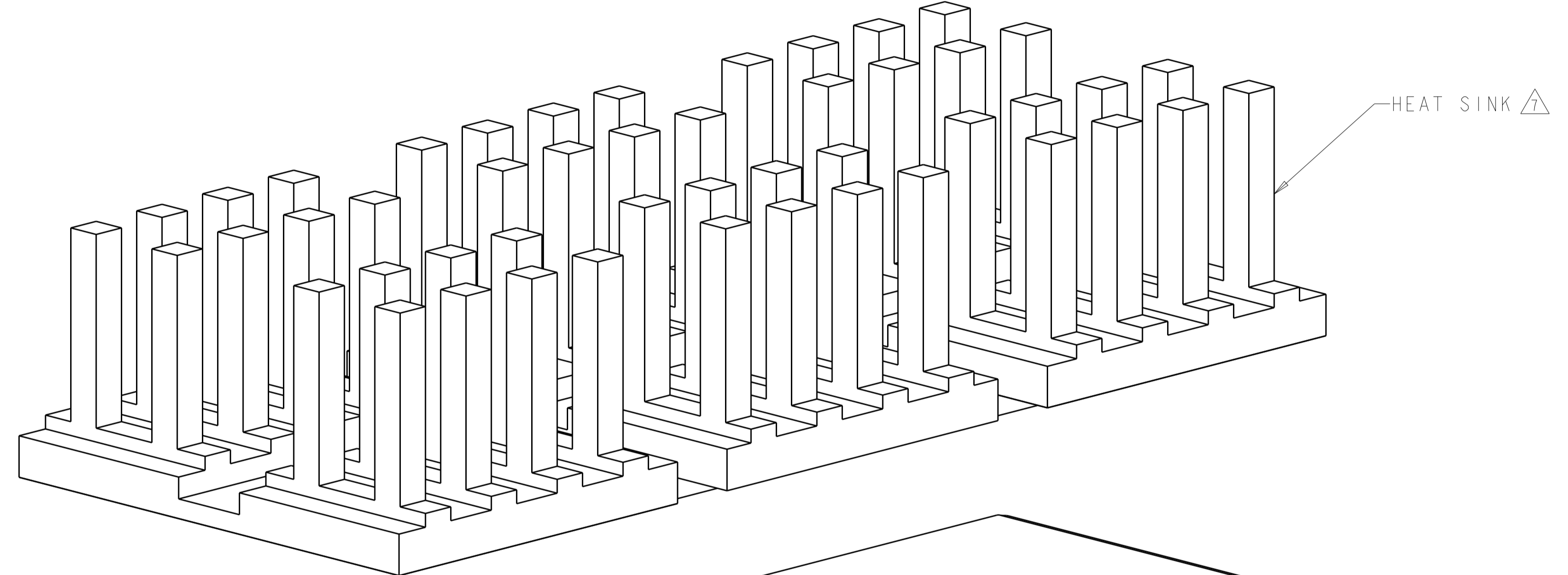
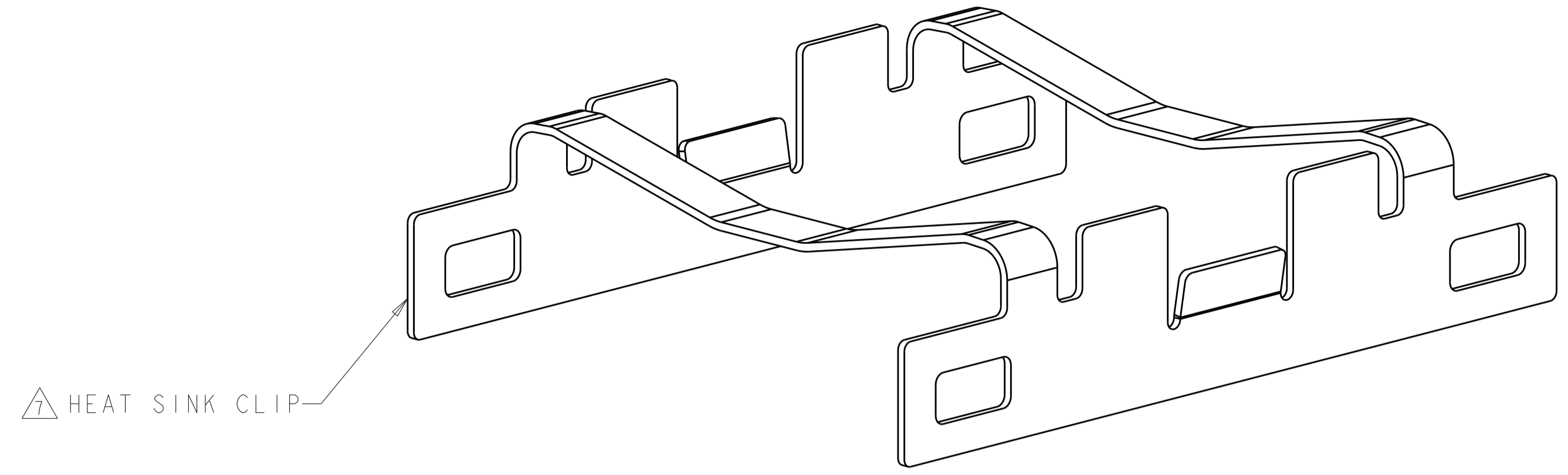


2057855-1  
 SCALE 4:1

2057855-1  
 PART NUMBER

DIMENSIONS: mm 		TOLERANCES UNLESS OTHERWISE SPECIFIED: 0 PLC ±.5 1 PLC ±0.5 2 PLC ±0.13 3 PLC ±0.013 4 PLC ±0.0001 ANGLES ±.1		DWN Z.M. BEAM 06DEC2008 CHK J.R. PETERSON 06DEC2008 APVD B.H. WERTZ 06DEC2008		Tyco Electronics Harrisburg, PA 17105-3608	
MATERIAL △ FINISH △		PRODUCT SPEC 108-2286 APPLICATION SPEC 114-13218		NAME QSFP CAGE ASSEMBLY, BEHIND BEZEL WITH HEAT SINK		SIZE CAGE CODE DRAWING NO RESTRICTED TO A1 00779 C=2057855	
CUSTOMER DRAWING		WEIGHT SCALE 5:1		SHEET 1 OF 5		REV A1	

LOC	DIST	REVISIONS			
P	LTN	DESCRIPTION	DATE	DWN	APVD
GP	00	SEE SHEET 1	-	-	-



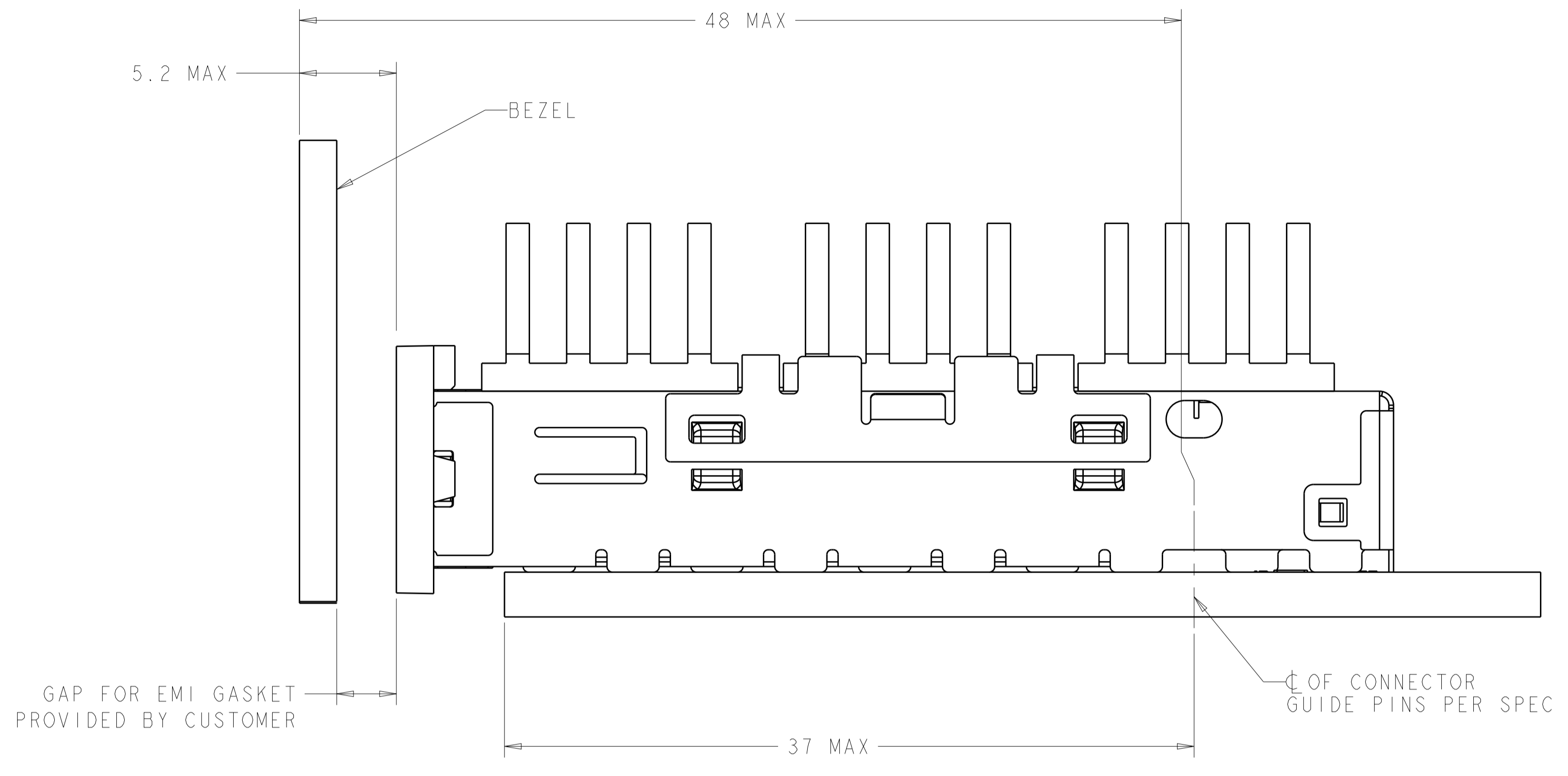
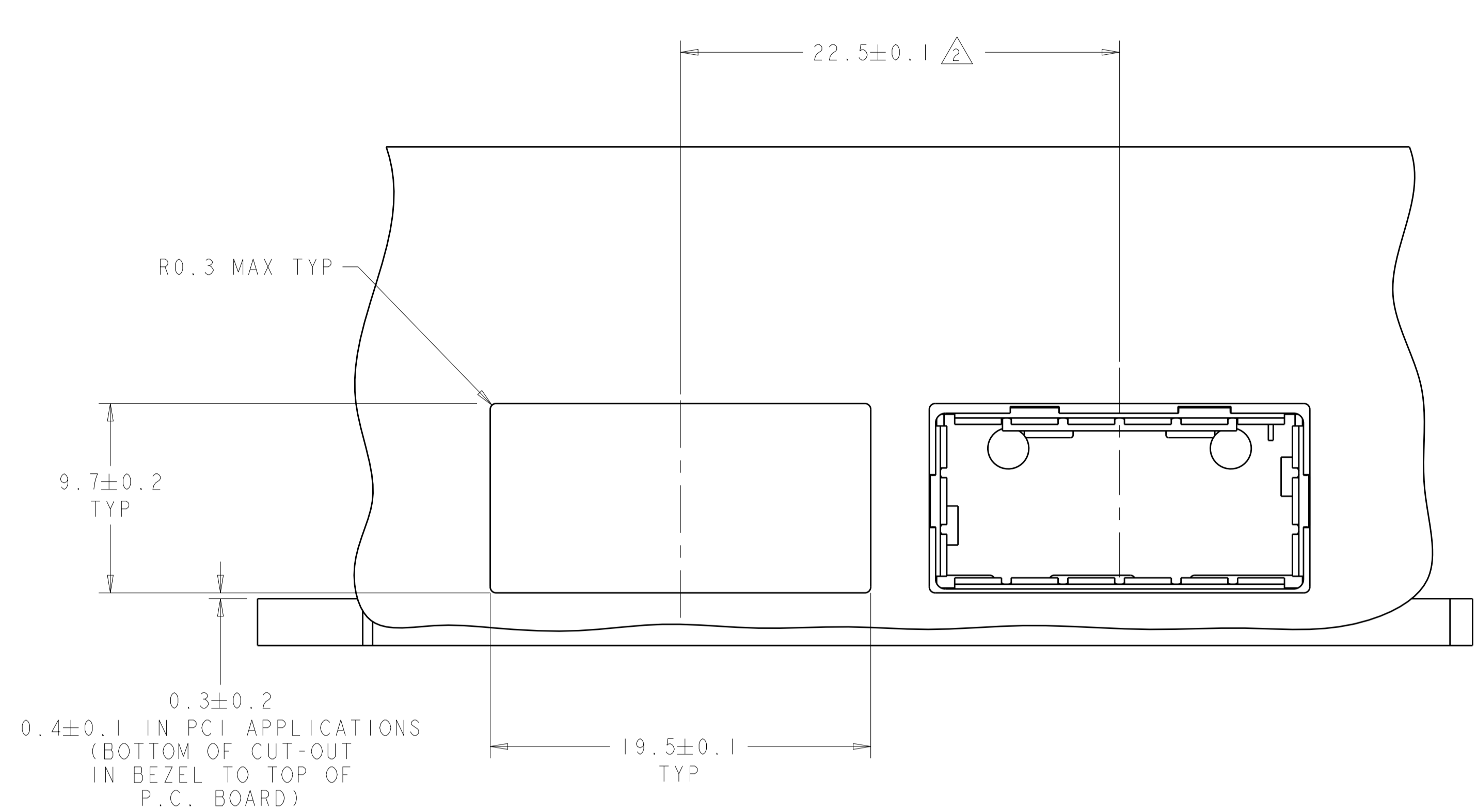
EXPLODED VIEW  
 SCALE 8:1

<small>THIS DRAWING IS UNPUBLISHED. RELEASED FOR PUBLICATION 2008. IT IS THE PROPERTY OF TYCO ELECTRONICS CORPORATION. IT IS TO BE USED ONLY FOR THE PROJECT AND INSTANTIATION ORGANIZATION FOR WHICH IT WAS CREATED. ALL RIGHTS RESERVED.</small>		DWN: Z.M. BEAM 06DEC2008 CHK: J.R. PETERSON 06DEC2008 APVD: B.H. WERTZ 06DEC2008	Tyco Electronics Harrisburg, PA 17105-3608
DIMENSIONS: mm		TOLERANCES UNLESS OTHERWISE SPECIFIED: 0 PLC ±.5 1 PLC ±0.13 2 PLC ±0.13 3 PLC ±0.013 4 PLC ±0.0001 ANGLES ±.1	NAME: QSFP CAGE ASSEMBLY, BEHIND BEZEL WITH HEAT SINK PRODUCT SPEC: 108-2286 APPLICATION SPEC: 114-13218 WEIGHT: -
MATERIAL: - FINISH: -		CUSTOMER DRAWING	SCALE: 5:1 SHEET 2 OF 5 REV: A1

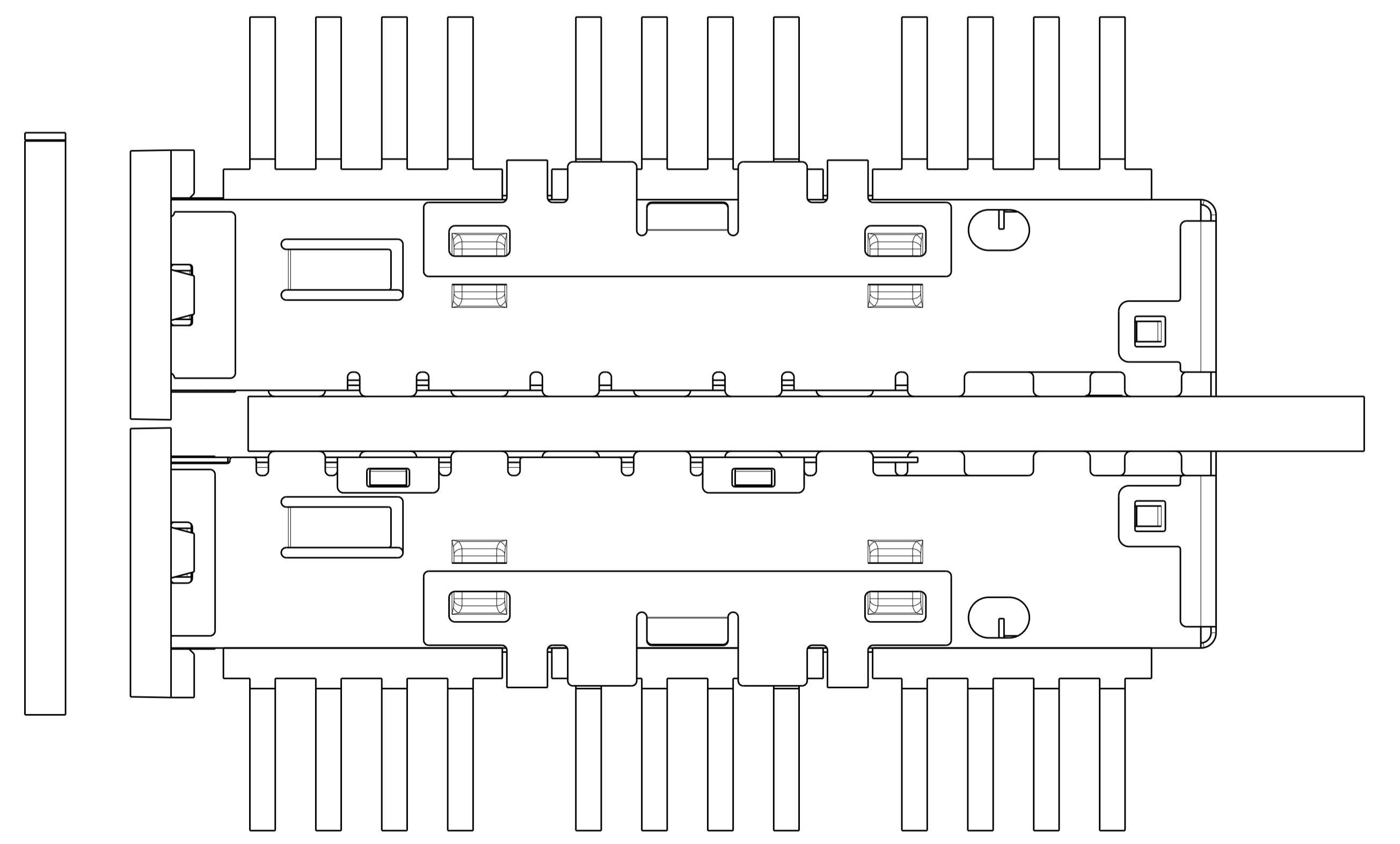
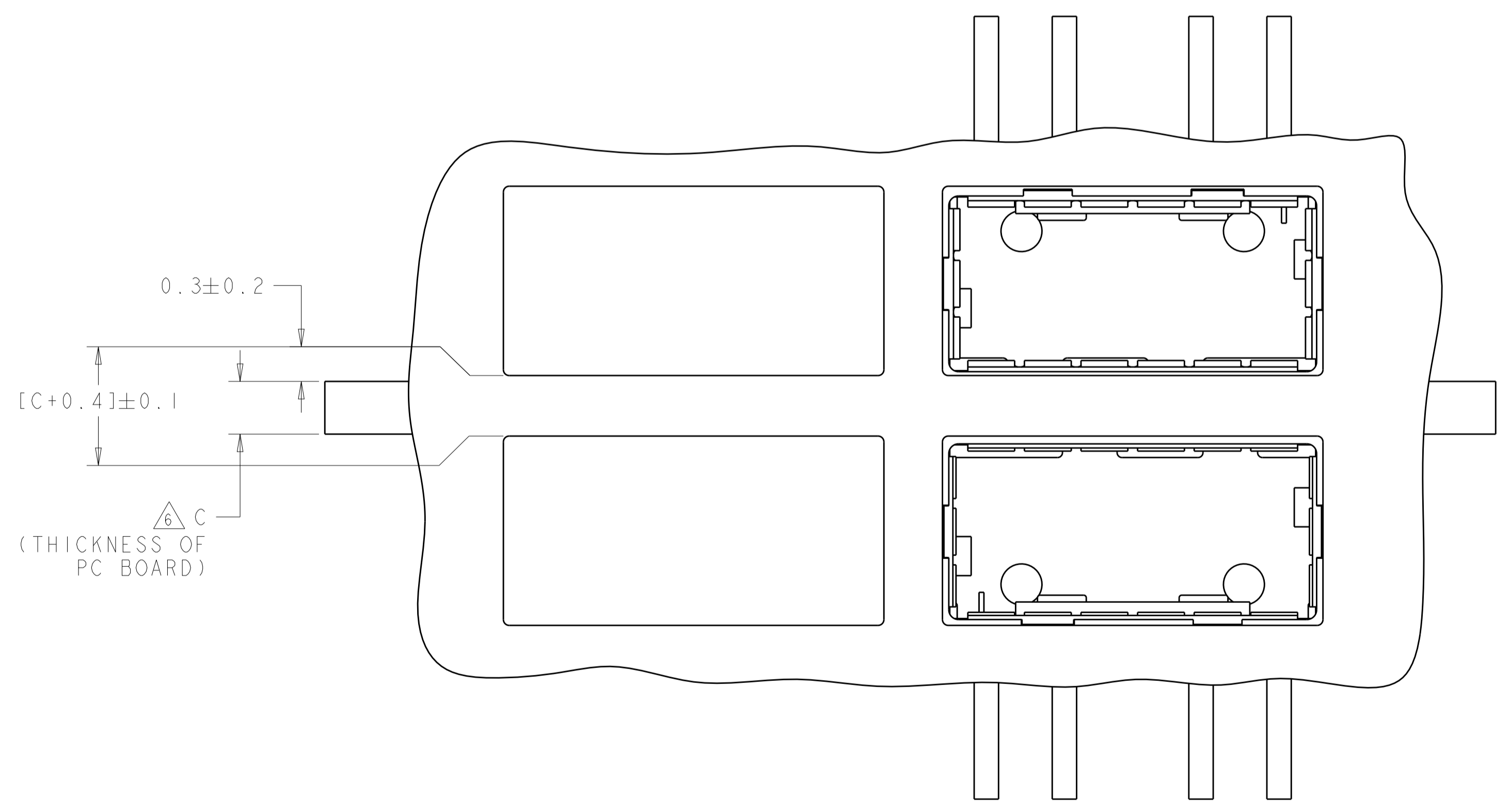
LOC	DIST	REV	DATE	BY	APPV
GP	00				

REVISIONS			
NO.	DESCRIPTION	DATE	BY
-	SEE SHEET 1	-	-



ONE SIDED CONFIGURATION



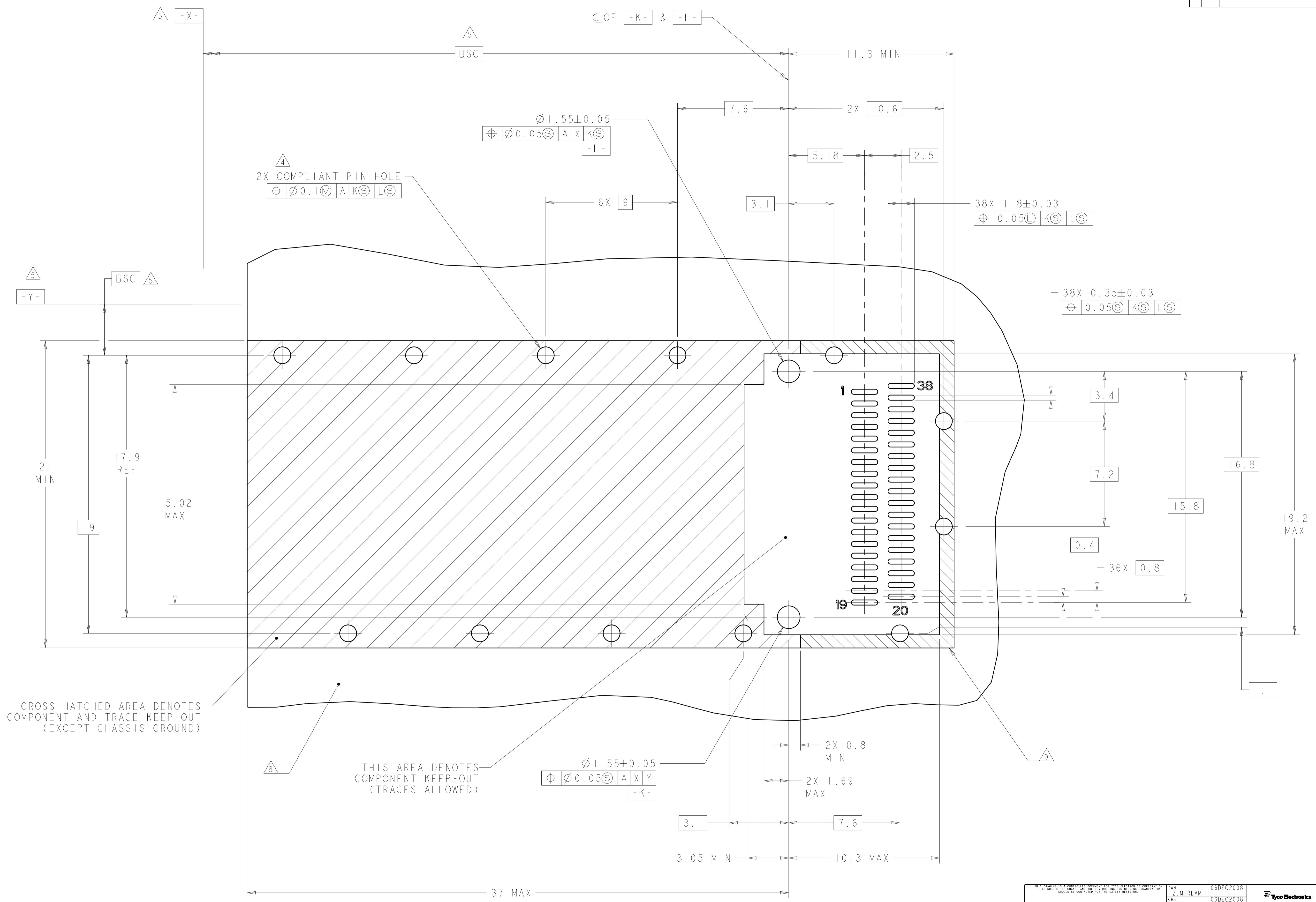
BELLY TO BELLY CONFIGURATION  
 SIMILAR TO ONE SIDED EXCEPT  
 WHERE NOTED

<small>THIS DRAWING IS UNPUBLISHED. RELEASED FOR PUBLICATION 2008. IT IS THE PROPERTY OF TYCO ELECTRONICS CORPORATION. IT IS TO BE USED ONLY FOR THE PURPOSES AND IN THE MANNER SPECIFIED BY THE CUSTOMER. ANY OTHER USE IS STRICTLY PROHIBITED. TYCO ELECTRONICS CORPORATION IS NOT RESPONSIBLE FOR ANY DAMAGE TO PROPERTY OR PERSONS ARISING FROM THE USE OF THIS DRAWING.</small>		DWN: Z.M. BEAM 06DEC2008 CHK: J.R. PETERSON 06DEC2008 APV: B.H. WERTZ 06DEC2008	Tyco Electronics Harrisburg, PA 17105-3608
DIMENSIONS: mm 	TOLERANCES UNLESS OTHERWISE SPECIFIED: 0 PLC ±.5 1 PLC ±0.13 2 PLC ±0.13 3 PLC ±0.013 4 PLC ±0.0001 ANGLES ±.1	NAME: QSFP CAGE CODE: 108-2286 DRAWING NO: 114-13218 WEIGHT: - CUSTOMER DRAWING	Tyco Electronics Harrisburg, PA 17105-3608 NAME: QSFP CAGE CODE: 108-2286 DRAWING NO: 114-13218 WEIGHT: - CUSTOMER DRAWING
MATERIAL: - FINISH: -		SCALE: 5:1 SHEET: 3 OF 5 REV: A1	A100779C=2057855

LOC	DIST	REV	DATE	BY	APPV
GP	00				

REVISIONS		DATE	BY	APPV
-	SEE SHEET 1	-	-	-



CROSS-HATCHED AREA DENOTES COMPONENT AND TRACE KEEP-OUT (EXCEPT CHASSIS GROUND)

THIS AREA DENOTES COMPONENT KEEP-OUT (TRACES ALLOWED)

Ø1.55±0.05  
 Ø0.05  
 A X Y  
 -K-

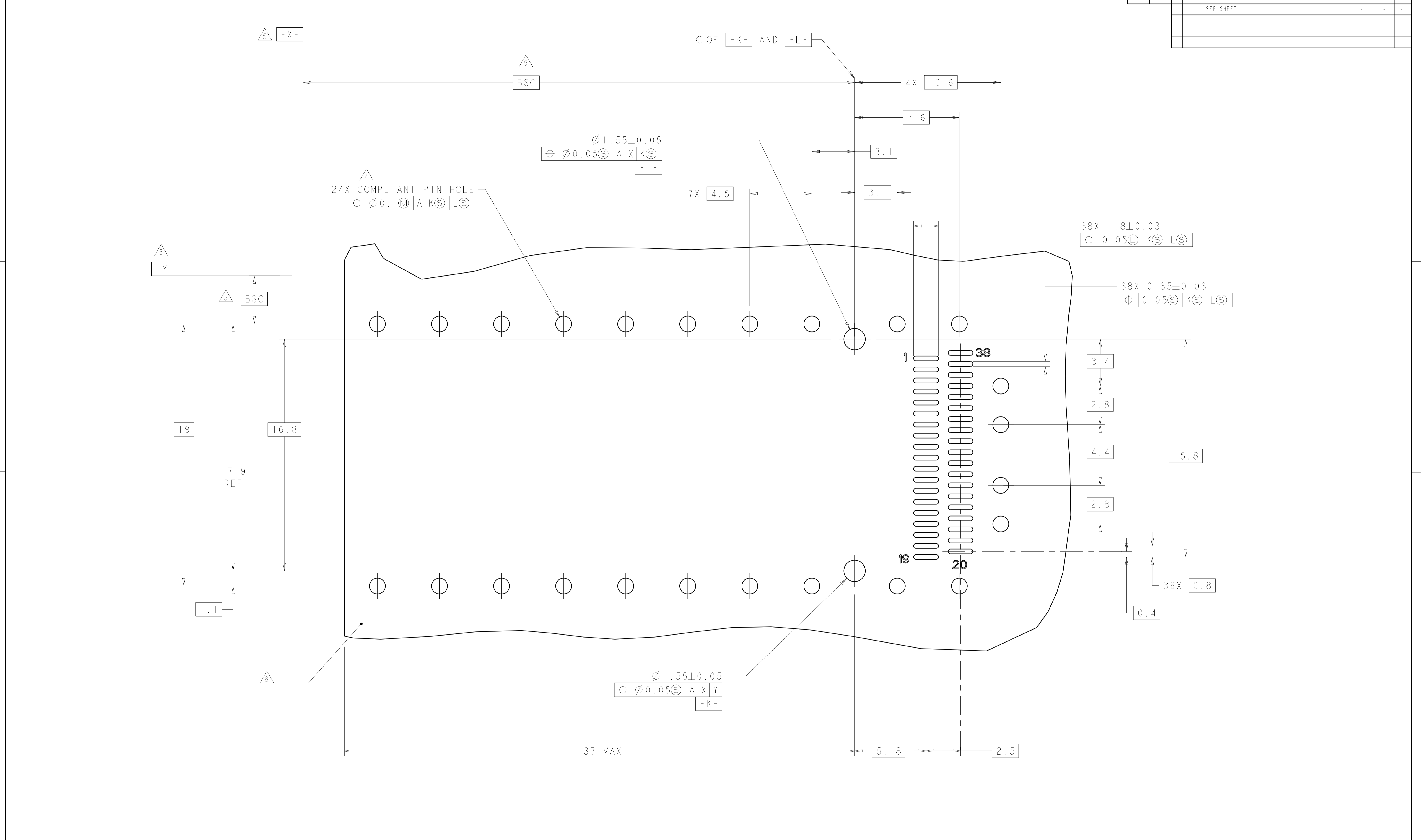
RECOMMENDED PCB LAYOUT  
 SINGLE SIDED CONFIGURATION  
 SCALE 8:1

DIMENSIONS: mm 		TOLERANCES UNLESS OTHERWISE SPECIFIED: 0 PLC ±0.5 1 PLC ±0.13 2 PLC ±0.13 3 PLC ±0.013 4 PLC ±0.001 ANGLES ±0.0001 FINISH		DWN Z.M. BEAM 06DEC2008 CHK J.R. PETERSON 06DEC2008 APVD B.H. WERTZ 06DEC2008		Tyco Electronics Harrisburg, PA 17105-3608	
MATERIAL: - FINISH: -		WEIGHT: - CUSTOMER DRAWING		NAME: QSFP CAGE ASSEMBLY, BEHIND BEZEL WITH HEAT SINK PRODUCT SPEC: 108-2286 APPLICATION SPEC: 114-13218		SIZE: A CAGE CODE: 2057855 RESTRICTED TO: -	
SCALE 4:1 SHEET 4 OF 5 REV A1				Tyco Electronics logo			

LOC	DIST	REV	DATE	BY	APPD
GP	00				

REVISIONS		DATE	BY	APPD
-	SEE SHEET 1	-	-	-



RECOMMENDED PCB LAYOUT  
 BELLY TO BELLY CONFIGURATION  
 SEE SHEET 4 FOR KEEP OUT AREAS  
 SCALE 8:1

<small>THIS DRAWING IS UNPUBLISHED. RELEASED FOR PUBLICATION 2008. IT IS THE PROPERTY OF TYCO ELECTRONICS CORPORATION. IT IS TO BE USED ONLY FOR THE PURPOSES AND IN THE MANNER SPECIFIED IN THE DRAWING. IT IS NOT TO BE REPRODUCED OR TRANSMITTED IN ANY FORM OR BY ANY MEANS, ELECTRONIC OR MECHANICAL, INCLUDING PHOTOCOPYING, RECORDING, OR BY ANY INFORMATION STORAGE AND RETRIEVAL SYSTEM, WITHOUT THE WRITTEN PERMISSION OF TYCO ELECTRONICS CORPORATION.</small>		DWN: Z.M.BEAM 06DEC2008 CHK: J.R.PETERSON 06DEC2008 APVD: B.H.WERTZ 06DEC2008	Tyco Electronics Harrisburg, PA 17105-3608
DIMENSIONS: mm 	TOLERANCES UNLESS OTHERWISE SPECIFIED: 0 PLC ±.5 1 PLC ±0.13 2 PLC ±0.13 3 PLC ±0.013 4 PLC ±0.001 ANGLES ±.1 FINISH -	NAME: QSFPCAGE ASSEMBLY, BEHIND BEZEL WITH HEAT SINK PRODUCT SPEC: 108-2286 APPLICATION SPEC: 114-13218 WEIGHT: - CUSTOMER DRAWING	SCALE: 4:1 SHEET: 5 OF 5 REV: A1